

CLARKE®



Only suitable for well insulated areas and not designed
to be the primary heat source

900W OIL FILLED RADIATOR

MODEL NO: OFR 9/90

PART NO: 6934003

OPERATION & MAINTENANCE INSTRUCTIONS

UK | CE



ORIGINAL INSTRUCTIONS

DL1123 - ISS7

INTRODUCTION

Thank you for purchasing this CLARKE 900W oil filled radiator.

Before attempting to use this product, please read this manual thoroughly and follow the instructions carefully. In doing so you will ensure the safety of yourself and that of others around you, and you can look forward to your purchase giving you long and satisfactory service.

IMPORTANT

Please read all of the safety and operating instructions carefully before using this product. Please pay particular attention to all sections of these instructions that display warning symbols and notices.

ENVIRONMENTAL RECYCLING POLICY



Through purchase of this product, the customer is taking on the obligation to deal with the WEEE in accordance with the WEEE regulations in relation to the treatment, recycling & recovery and environmentally sound disposal of the WEEE.

In effect, this means that this product must not be disposed of with general household waste. It must be disposed of according to the laws governing Waste Electrical and Electronic Equipment (WEEE) at a recognised disposal facility.

GUARANTEE

This product is guaranteed against faulty manufacture for a period of 12 months from the date of purchase. Please keep your receipt which will be required as proof of purchase.

This guarantee is invalid if the product is found to have been abused or tampered with in any way, or not used for the purpose for which it was intended.

Faulty goods should be returned to their place of purchase, no product can be returned to us without prior permission.

This guarantee does not effect your statutory rights.


THE FOLLOWING TABLE ADDRESSES THE INFORMATION REQUIREMENTS OF REG.2015/1188

Item	Symbol	Value	Unit
Heat output			
Measured seasonal space heating energy efficiency			n/a %
Nominal heat output	P_{nom}	0.9	kW
Minimum heat output (indicative)	P_{min}	0	kW
Maximum continuous heat output	P_{max}	0.9	kW
Auxiliary electricity consumption			
At nominal heat output	$e_{l_{max}}$	n/a	kW
At minimum heat output	$e_{l_{min}}$	n/a	kW
In standby mode	$e_{l_{SB}}$	0	kW
Type of heat input for electric storage local heaters only			
Manual heat charge control with integrated thermostat			No
Manual heat charge control with room and/or outdoor temperature feedback			No
Electronic heat charge control with room and/or outdoor temperature feedback			No
Fan assisted output			No
Type of heat output/room temperature control (select one)			
Single stage heat output, no temperature control			No
Two or more manual stages, no temperature control			No
With mechanical thermostat temp control			Yes
With electronic temperature control			No
Electronic temperature control with day timer			No
Electronic temperature control with week timer			No
Other control options (multiple selections possible)			
Room temperature control with presence detection			No
Room temperature control with open window detection			No
Room temperature control with distance control option			No
Room temperature control with adaptive start control			No
Room temperature control with working time limitation			No
Room temperature control with black bulb sensor			No

SAFETY ADVICE

Make sure that you read, understand and comply with the following.

The following symbols appear on the unit.

	Hot surface, - do not touch	 DO NOT COVER	Do not cover		Read the manual
---	-----------------------------------	--	-----------------	---	--------------------

GENERAL SAFETY

1. Read these instructions carefully before using the radiator.
2. **CAUTION:** Some parts of this product can become very hot and cause burns. Particular attention has to be given where children, vulnerable people and animals are present.
3. Before connecting the radiator, check that the voltage indicated on the rating plate corresponds to the mains voltage in your home/office.
4. **AVOID** the use of an extension cable because it may lead to overheating.
5. **DO NOT** use this heater with a programmer, timer, separate remote control system or any other device that switches the heater on automatically, since a fire risk exists if the heater is covered or positioned incorrectly.
6. Only touch the radiator with dry hands.
7. This radiator can be used by children aged 8 and above and persons with reduced physical, sensory and mental capabilities or lack of knowledge if they have been given instruction concerning the use of appliance in a safe way and understand the hazards.
8. Children should **NOT** be allowed to play with appliance. Children less than 3 years should be kept away unless continuously supervised.
9. **DO NOT** position the radiator directly under a power socket.
10. **DO NOT** stand on, or drop the radiator and treat it carefully at all times. **DO NOT** use if dropped. **DO NOT** use if there are visible signs of damage.
11. **DO NOT** use this radiator outdoors.
12. This radiator is **NOT** intended for use in bathrooms, laundry areas and other similar indoor locations. **NEVER** locate radiator where it may fall into the bathtub or other water container. **DO NOT** place in the immediate surroundings of a shower, bath or swimming pool.

13. Position the radiator in such a manner that the air flow toward the radiator and away from it is not obstructed.
14. The radiator must **NOT** be covered.
15. Allow a safe area around the radiator away from furniture or other objects; at least 1m from the top and sides and front.
16. **DO NOT** use this radiator when it is lying on its side. **ALWAYS** use on a horizontal and stable surface
17. If the radiator is tipped over, unplug it and allow it to cool before standing it back up.
18. **DO NOT** use this heater in small rooms when they are occupied by persons not capable of leaving the room on their own unless constant supervision is provided.
19. **DO NOT** use the radiator in rooms with explosive gas (e.g. petrol) or while using inflammable glue or solvent (e.g. when gluing or varnishing parquet floors, PVC etc)
20. Keep the mains cable at a safe distance from the main body of the radiator.
21. **DO NOT** hang anything in front of or above the radiator.
22. If overheating should occur, the built-in overheating safety device will switch off the radiator.
23. **DO NOT** use aerosols, flammable substances or materials sensitive to heat in the flow of hot air.
24. Should the radiator stops working, first check the fuse in the plug or fuse in the circuit breaker at the distribution board is operating, before contacting the manufacturer or its service agent or a similarly qualified person in order to avoid a hazard.
25. If the supply cable or plug is damaged, it must be replaced by the manufacturer.
26. Repairs that require opening of the radiator body (like oil leakage) should only to be made by the manufacturer or his service agent.
27. The radiator contains no user serviceable parts.
28. When scrapping the radiator at the end of its life, follow the regulations concerning the disposal of oil.

ELECTRICAL CONNECTIONS



WARNING! Read these electrical safety instructions thoroughly before connecting the product to the mains supply.

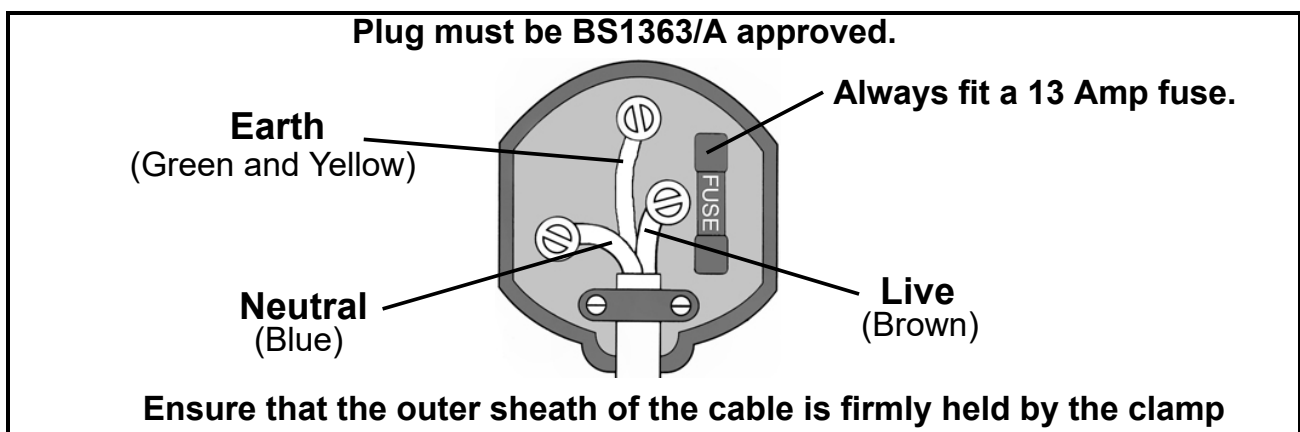
Before switching the product on, make sure that the voltage of your electricity supply is the same as that indicated on the rating plate. This product is designed to operate on 230VAC 50Hz. Connecting it to any other power source may cause damage.

This product may be fitted with a non-rewireable plug. If it is necessary to change the fuse in the plug, the fuse cover must be refitted. If the fuse cover becomes lost or damaged, the plug must not be used until a suitable replacement is obtained.

If the plug has to be changed because it is not suitable for your socket, or due to damage, it should be cut off and a replacement fitted, following the wiring instructions shown below. The old plug must be disposed of safely, as insertion into a mains socket could cause an electrical hazard.

If the colours of the wires in the power cable of this product do not correspond with the markings on the terminals of your plug, proceed as follows.

- The wire which is coloured **Blue** must be connected to the terminal which is marked **N** or coloured **Black**.
- The wire which is coloured **Brown** must be connected to the terminal which is marked **L** or coloured **Red**.
- The wire which is coloured **Yellow and Green** must be connected to the terminal which is marked **E** or \perp or coloured **Green**.



We strongly recommend that this machine is connected to the mains supply via a Residual Current Device (RCD)

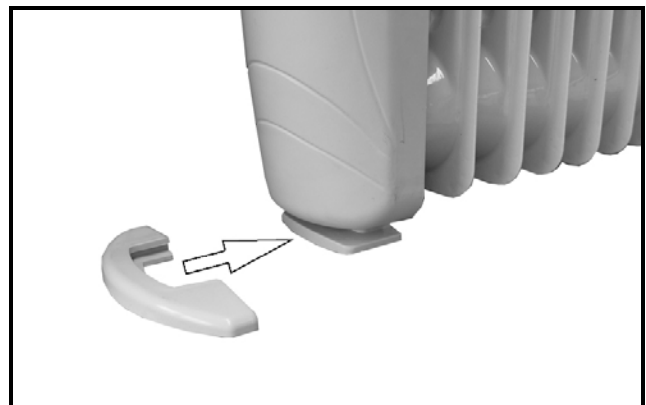
If in any doubt, consult a qualified electrician. **DO NOT** attempt any repairs yourself.

OPERATION

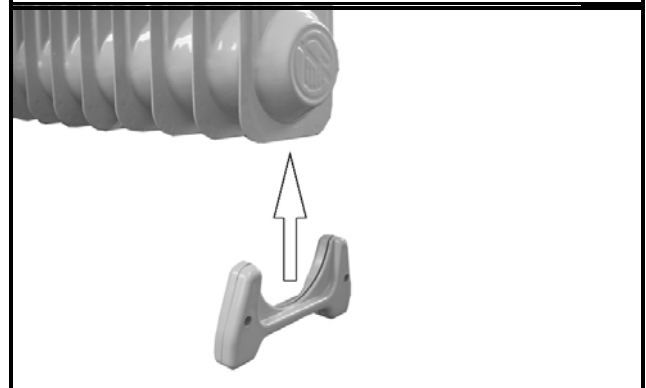
- Do not operate the radiator unless it is placed in an upright position.
- Select an indoor location for the radiator away from electrical cables, drapes and other furnishings.
- DO NOT place radiator directly beneath an electrical outlet or against paper board or low density fibreboard.

CONNECT THE FEET

1. Slide the front foot onto the body as shown.



2. Slide the rear foot over the last fin as shown.



SETTING THE TEMPERATURE

1. Turn the thermostat to "OFF" before plugging in the radiator.
2. Plug the radiator into the mains supply.
3. The hottest setting will be when the thermostat is set to "HIGH", the coolest, when it is set to "LOW".



NOTE: The first time the radiator is used there may be an odour that will disappear after approximately 30 minutes of operation.

SAFETY SHUT OFF

Your oil filled radiator is fitted with a safety overheat device which switches off the oil filled radiator in the event of overheating caused by any fault condition which induces a rapid temperature rise.

In the event of the safety overheat device operating, the oil filled radiator will cease to function until the teperature falls below the cut off point. If this happen again have your oil filled radiator serviced by an approved service agent.

The safety device supplied must never be replaced by anyone other than an approved service agent.

SPECIFICATION

Model Number	OFR 9/90
Operating Voltage and Frequency	230 V @ 50 Hz
Input Power	900 W
Number of segments	9
IP Rating:	IP20
Dimensions (L x W x H)	430 x 140 x 370 mm
Weight	5.3 Kg

MAINTENANCE

CLEANING

The oil filled radiator requires regular cleaning to ensure trouble free operation:

1. **DO NOT** stand on or drop the heater and treat it carefully at all times.
2. Always turn off and unplug the oil filled radiator from the mains supply and allow it to cool before cleaning.
3. Use a damp cloth to wipe the exterior of the oil filled radiator to remove dust and dirt.
4. Ensure the oil filled radiator is dry before plugging back into the mains supply.
5. **DO NOT** allow water to run into the interior of the oil filled radiator as this could create a fire or electric shock hazard.

STORAGE

If the oil filled radiator is not going to be used for long periods, for example during the summer, it should be stored in a dry place and preferably covered to prevent the accumulation of dust and dirt.

Unplug the oil filled radiator and ensure that the plug does not trail on the floor where it could be damaged.

DECLARATION OF CONFORMITY - UKCA



Clarke[®]
INTERNATIONAL

Hemnall Street, Epping, Essex CM16 4LG

DECLARATION OF CONFORMITY

This is an important document and should be retained.

We hereby declare that this product(s) complies with the following statutory requirement(s):

Electromagnetic Compatibility Regulations 2016

Electrical Equipment (Safety) Regulations 2016

The Restriction of Use of Certain Hazardous Substances in Electrical and Electronic Equipment Regulations 2012

The Eco-design for Energy Related Products and Energy Information (Amendment) Regulations 2019

The following standards have been applied to the product(s):

EN 55014-1:2017, EN 55014-2:2015, EN 61000-3-2:2014, EN IEC 61000-3-2:2019.

EN 61000-3-3:2013+A1:2019, EN 60335-1:2012+A11:2014+A13:2017+A1:2019+A14:2019+A2:2019,

EN 60335-2-30:2009+A11:2012, EN 62233:2008, IEC 62321-3-1:2013, IEC 62321-6:2015,

IEC 62321-4:2013+AMD1:2017CSV, IEC 62321-5:2013, IEC 62321-7-1:2015,

IEC 62321-7-2:2017, IEC 62321-8:2017, ISO 17075:2017, IEC 62301:2011,

EN 50564:2011, EN 60675:1995+A1:1998+A2:2008+A11:2019.

The technical documentation required to demonstrate that the product(s) meet(s) the requirement(s) of the aforementioned legislation has been compiled and is available for inspection by the relevant enforcement authorities.

The UKCA mark was first applied in: 2022

Product Description: Oil Filled Electric Radiators
Model number(s): OFR7/150, OFR9/90, OFR9/200, OFR13/250, BR9/200, BR13/250
Serial / batch Number: N/A
Date of Issue: 07/06/2022.

Signed:

J.A. Clarke
Director

DECLARATION OF CONFORMITY - CE



Clarke[®]
INTERNATIONAL

Fitzwilliam Hall, Fitzwilliam Place, Dublin 2

DECLARATION OF CONFORMITY

This is an important document and should be retained.

We hereby declare that this product(s) complies with the following directive(s):

- 2014/30/EC *Electromagnetic Compatibility Directive*
- 2014/35/EC *Low Voltage Directive*
- 2011/65/EC *Restriction of Hazardous Substances*
- 2009/125/EC *Eco-Design Directive Annex I (EU 2015/1188)*

The following standards have been applied to the product(s):

- EN 55014-1:2017, EN 55014-2:2015, EN 61000-3-2:2014, EN IEC 61000-3-2:2019.
- EN 61000-3-3:2013+A1:2019, EN 60335-1:2012+A11:2014+A13:2017+A1:2019+A14:2019+A2:2019,
- EN 60335-2-30:2009+A11:2012, EN 62233:2008, IEC 62321-3-1:2013, IEC 62321-6:2015,
- IEC 62321-4:2013+AMD1:2017CSV, IEC 62321-5:2013, IEC 62321-7-1:2015,
- IEC 62321-7-2:2017, IEC 62321-8:2017, ISO 17075:2017, IEC 62301:2011,
- EN 50564:2011, EN 60675:1995+A1:1998+A2:2008+A11:2019.

The technical documentation required to demonstrate that the product(s) meet(s) the requirement(s) of the aforementioned directive(s) has been compiled and is available for inspection by the relevant enforcement authorities.

The CE mark was first applied in: 2007

Product Description: Oil Filled Electric Radiators
Model number(s): OFR7/150, OFR9/90, OFR9/200, OFR13/250, BR9/200, BR13/250
Serial / batch Number: N/A
Date of Issue: 07/06/2022.

Signed:

J.A. Clarke
Director

A SELECTION FROM THE VAST RANGE OF

Clarke®

QUALITY PRODUCTS



AIR COMPRESSORS
From DIY to industrial, Plus air tools, spray guns and accessories.

GENERATORS
Prime duty or emergency standby for business, home and leisure.

POWER WASHERS
Hot and cold, electric and engine driven - we have what you need

WELDERS

Mig, Arc, Tig and Spot.
From DIY to auto/industrial.

METALWORKING
Drills, grinders and saws for DIY and professional use.

WOODWORKING
Saws, sanders, lathes, mortisers and dust extraction.

HYDRAULICS
Cranes, body repair kits, transmission jacks for all types of workshop use.

WATER PUMPS
Submersible, electric and engine driven for DIY, agriculture and industry.

POWERTOOLS
Angle grinders, cordless drill sets, saws and sanders.

STARTERS/CHARGERS
All sizes for car and commercial use.



PARTS & SERVICE: 0208 988 7400

Parts Enquiries
Parts@clarkeinternational.com

Servicing & Technical Enquiries
Service@clarkeinternational.com

SALES: UK 01992 565333 or Export 00 44 (0)1992 565335

Clarke® INTERNATIONAL Hemnall Street, Epping, Essex CM16 4LG
www.clarkeinternational.com